



WET Technologies

T +27 (0)21 851 2096

E sales@wet-sa.co.za



Thermoplastic polymer filter housings provide an economical alternative to stainless steel. The patented design is made of durable, corrosion and UV resistant UPVC suitable for low pressure applications up to 7 bar.

The bag filter housing includes an internal support basket, a 5 micron bag filter element, mounting stand, and a spanner for the threaded cap on low pressure models.

Materials

Housing UPVC

Bolts 304 or 316 SS

Operating Limits

Pressure \leq 4 bar (model A),

\leq 7 bar (model B)

Flow rate \leq 12 m³/h (model 1)

\leq 23 m³/h (model 2)

Temperature 4 to 45°C

Connections

In/Out 2" DN50 flange

Air vent 1/4" BSP (vent included)

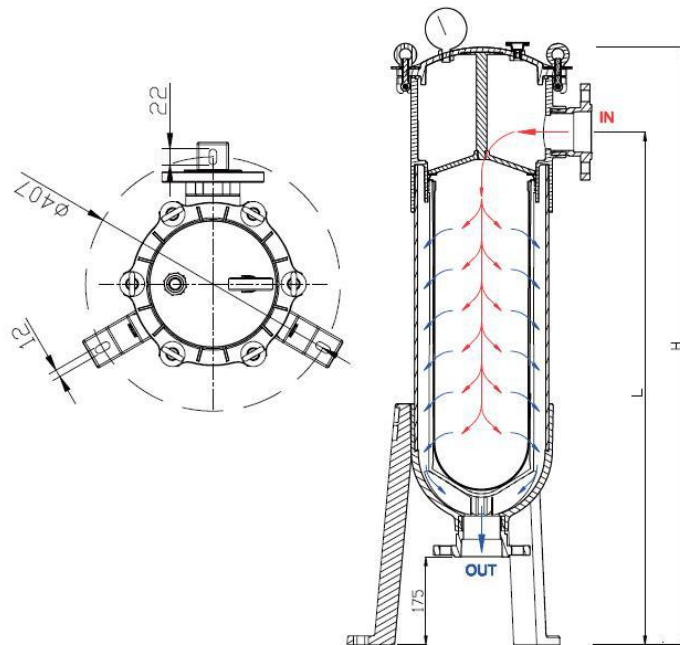
Press gauge 1/4" BSP (gauge not included)

Filter Element

Rating Nominal 5µm bag included

Bag size 7x17" ~ 178x419 mm (model 1)

7x32" ~ 178x813 mm (model 2)



Model	Vessel Diameter	Total Height (H)	Inlet Height (L)	Outlet Height	Max Flow	Max Pressure
HXPBF1-1A	225mm	805mm	650mm	175mm	12 m ³ /h	4 bar
HXPBF1-2A	225mm	1190mm	1035mm	175mm	23 m ³ /h	4 bar
HXPBF1-1B-304	225mm	820mm	665mm	175mm	12 m ³ /h	7 bar
HXPBF1-1B-316	225mm	820mm	665mm	175mm	12 m ³ /h	7 bar
HXPBF1-2B-304	225mm	1200mm	1045mm	175mm	23 m ³ /h	7 bar
HXPBF1-2B-316	225mm	1200mm	1045mm	175mm	23 m ³ /h	7 bar

www.wet-sa.co.za

WET Technologies
Water Treatment Components & Technologies
Somerset West, Western Cape, South Africa